

4

3

2

1

THIS DRAWING IS UNPUBLISHED.
DIFFUSION RESTREINTE

RELEASED FOR PUBLICATION
LIBRE A LA DIFFUSION

2011

© COPYRIGHT 2011

by Tyco Electronics Corporation

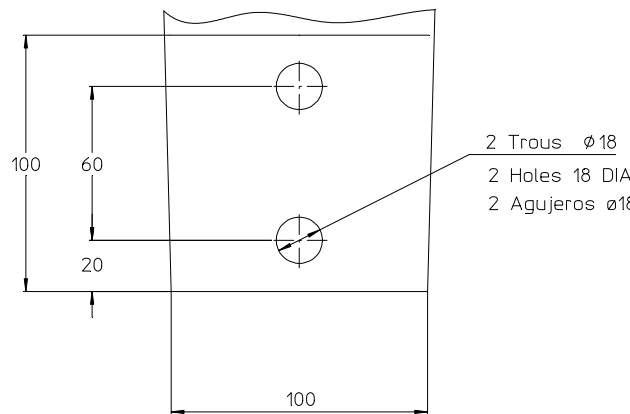
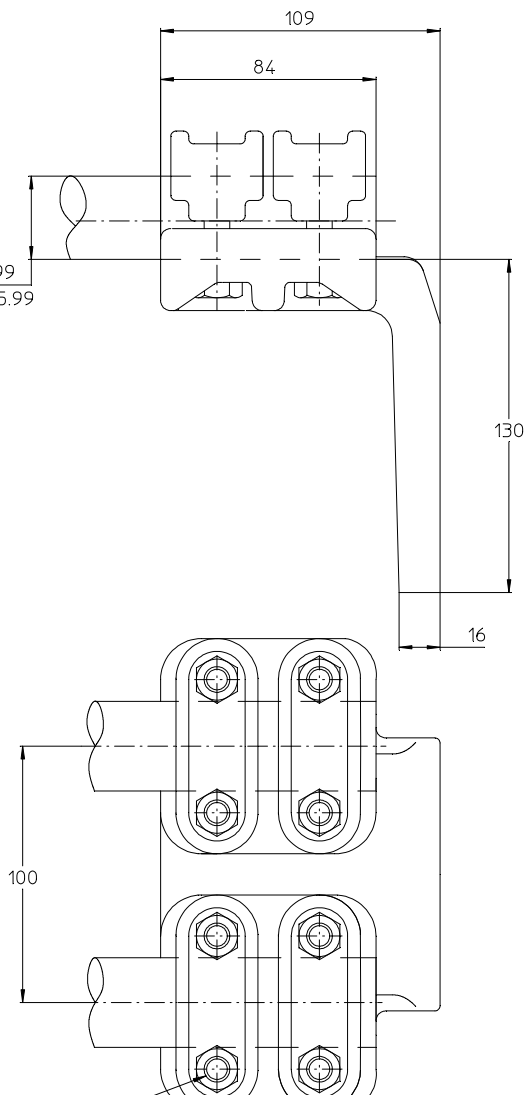
ALL RIGHTS RESERVED.
TOUS DROITS RESERVES

LOC - DIST -

REVISIONS


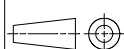
P	LTR REV	DESCRIPTION MODIFICATIONS	DATE	DWN DESS	APVD APPR
	A	CREATION	30-Jun-15	JPM	-

Cable ou tube ø31 à 35.99
Cable or tube 31DIA to 35.99
Cable o tubo ø31 a 35.99



37 Nm

- 8 Boulons ø10 Inox A2
- 8 Bolts 10DIA Stainless steel A2
- 8 Tornillos ø10 Acero inoxidable A2

THIS DRAWING IS A CONTROLLED DOCUMENT. LE PLAN EST UN DOCUMENT CONTROLÉ PAR TYCO ELECTRONICS CORPORATION IL EST SUSCEPTIBLE D'ÊTRE REVISÉ POUR OBTENIR LA DERNIÈRE RÉVISION. CONTACTER LE SERVICE TECHNIQUE DE TYCO ELECTRONICS SHEL SAS 4220 LEVET, CHAMBERTIN, FRANCE		DWN /DESSINE MOYEUR	30-Jun-15	 TE connectivity SIMEL PRODUCTS	
DIMENSIONS: mm		CHK/VERIFIE	-		
TOLERANCES UNLESS OTHERWISE SPECIFIED PER TOLERANCES NON SPECIFIEES SELON :-		APVD/APPROUVE	-	NAME /TITRE CE 82 F 35 E100 100 C892	
		PRODUCT SPEC	-	DRAWING NO No PLAN	
MATERIAL /MATERIE		SPEC. PRODUCT	-	SIZE /FORMAT	A3
FINISH /FINITION		APPLICATION SPEC	-	CAGE CODE	00779
		SPEC. APPLICATION	-	DRAWING NO	©=2845468
		WEIGHT /MASSE APPROX.	2.1 Kg	RESTRICTED TO /RESERVE A	-
ITEM:		CUSTOMER DRAWING /PLAN CLIENT		UNIQUEMENT /POUR REFERENCE	SCALE /ECHELLE 1/2
				SHEET /FEUILLE 1	OF /DE 1
				REV /REV A	